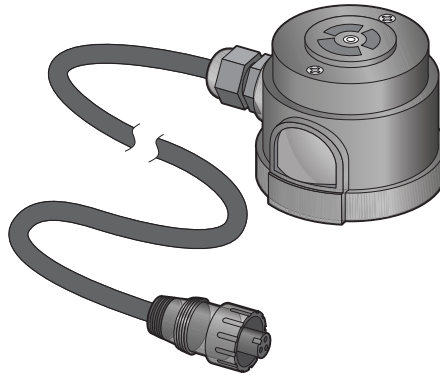


Alcatel-Lucent OAW-AP85 Streetlight Power Tap Adaptor Installation Guide

Introduction

The Alcatel-Lucent OAW-AP85 Streetlight Power Tap Adaptor is for use with Alcatel-Lucent OAW-AP85FX/LX outdoor rated access points. This power tap adaptor allows the access point to receive pre-switched AC power via the streetlight power source, ensuring constant AP operation even when the streetlight is powered off. The power tap adaptor allows operation at 100-240 V~ from a single phase of a standard 220 V or 480 V two phase streetlight receptacle.

Figure 1 Alcatel-Lucent OAW-AP85 Streetlight Power Tap Adaptor



Package Checklist

- Alcatel-Lucent OAW-AP85 Streetlight Power Tap Adaptor

Installation



CAUTION

Alcatel-Lucent Access Points are required to be installed by a professional installer. The professional installer is responsible for ensuring that grounding is available and it meets applicable local and national electrical codes.



WARNING

Do not work on an AP and do not connect or disconnect cables during periods of lightning activity.

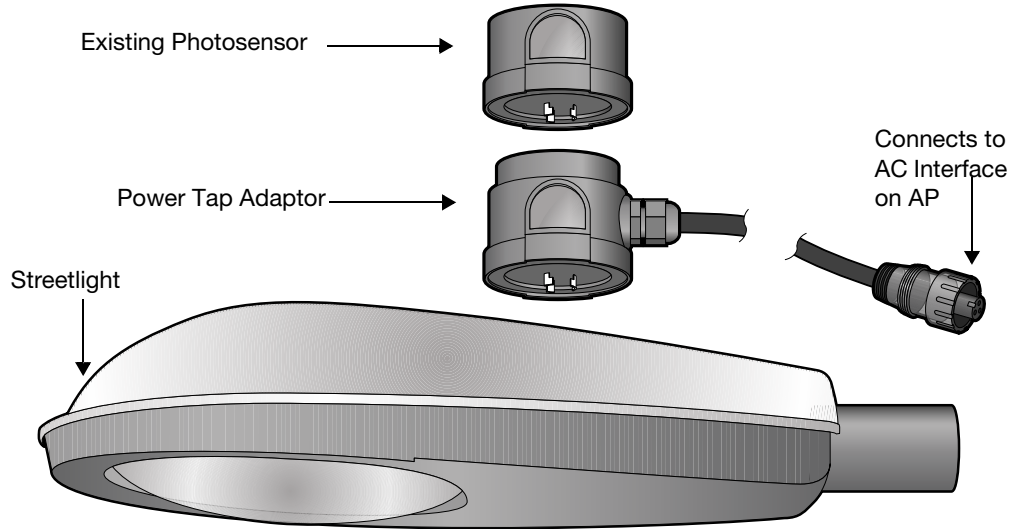


WARNING

Disconnect the AC mains before handling the AC power cable and connecting it to or disconnecting it from the OAW-AP85.

1. Disconnect existing power and AC cable connections.
2. Remove the existing photosensor from the power socket on the streetlight (see [Figure 2](#)).
3. Plug the power tap adaptor into the power socket on the streetlight (see [Figure 2](#)).
4. Plug the existing photosensor into the socket on the top of the power tap adaptor (see [Figure 2](#)).

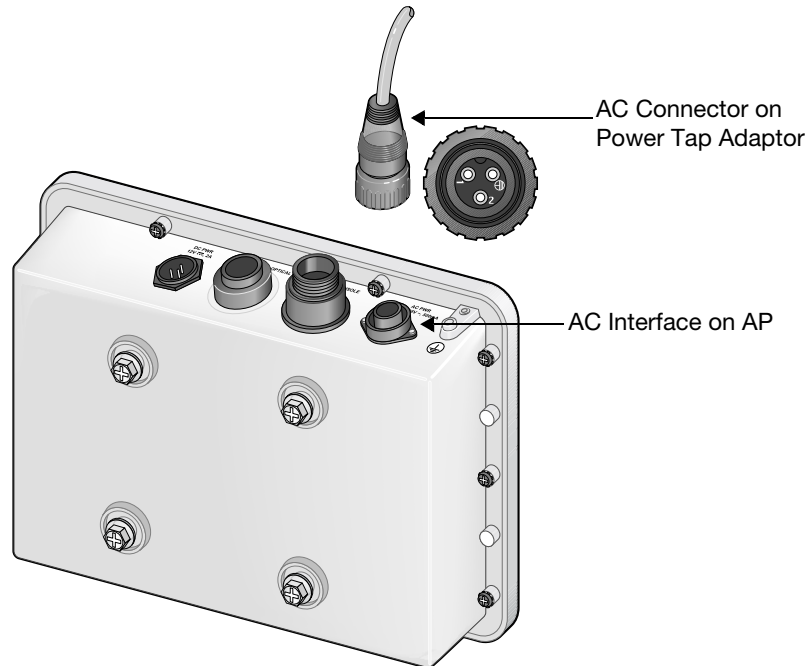
Figure 2 *Installing the Power Tap Adaptor*



arun_0139

5. Screw the opposite end of the power tap adaptor to the AC interface on an OAW-AP85FX or OAW-AP85LX model (see [Figure 3](#)).
6. Once connected, turn on the AC mains.

Figure 3 *Connecting Power to the AP*



arun_0140

Safety and Regulatory Compliance

Alcatel-Lucent provides a multi-language document containing country specific restrictions and additional safety and regulatory information for Alcatel-Lucent hardware products. The *Alcatel-Lucent Safety and Regulatory Addendum* can be viewed or downloaded from the following location: <https://service.esd.alcatel-lucent.com>.



Access Points are radio transmission devices and as such are subject to governmental regulation. Network administrators responsible for the configuration and operation of Access Points must comply with local broadcast regulations. Specifically, Access Points must use channel assignments appropriate to the location in which the Access Point will be used.



RF Radiation Exposure Statement: This equipment (Alcatel-Lucent APs) complies with FCC RF radiation exposure limits. This equipment should be installed and operated with a minimum distance of 7.9 inches (20 cm) between the radiator and your body for 2.4 GHz and 5 GHz operations. This transmitter must not be co-located or operating in conjunction with any other antenna or transmitter. When operated in the 5.15 to 5.25 GHz frequency range, this device is restricted to indoor use to reduce the potential for harmful interference with co-channel Mobile Satellite Systems.

Proper Disposal of Alcatel-Lucent Equipment

For the most current information on Global Environmental Compliance and Alcatel-Lucent products please see our website at www.alcatel-lucent.com.

Waste of Electrical and Electronic Equipment



Alcatel-Lucent products at end of life are subject to separate collection and treatment in the EU Member States, Norway, and Switzerland and therefore are marked with the symbol shown at the left (crossed-out wheelie bin). The treatment applied at end of life of these products in these countries shall comply with the applicable national laws of countries implementing Directive 2002/96EC on Waste of Electrical and Electronic Equipment (WEEE).

European Union RoHS



Alcatel-Lucent products also comply with the EU Restriction of Hazardous Substances Directive 2002/95/EC (RoHS). EU RoHS restricts the use of specific hazardous materials in the manufacture of electrical and electronic equipment.

Specifically, restricted materials under the RoHS Directive are Lead (including Solder used in printed circuit assemblies), Cadmium, Mercury, Hexavalent Chromium, and Bromine. Some Alcatel-Lucent products are subject to the exemptions listed in RoHS Directive Annex 7 (Lead in solder used in printed circuit assemblies). Products and packaging will be marked with the “RoHS” label shown at the left indicating conformance to this Directive.

China RoHS



Alcatel-Lucent products also comply with China environmental declaration requirements and are labeled with the “EFUP e” label shown at the left.

Contacting Alcatel-Lucent

Web Site Support	
Main Site	http://www.alcatel-lucent.com/wps/portal/enterprise
Support Site	https://service.esd.alcatel-lucent.com
Support Email	support@ind.alcatel.com

Telephone Support	
North America	1-800-995-2696
Latin America	1-877-919-9526
Europe	+33 (0) 38 855 6929
Asia Pacific	+65 6586 1555/1-818-878-4507
Worldwide	1-818-880-3500



www.alcatel-lucent.com
26801 West Agoura Road
Calabasas, CA 91301